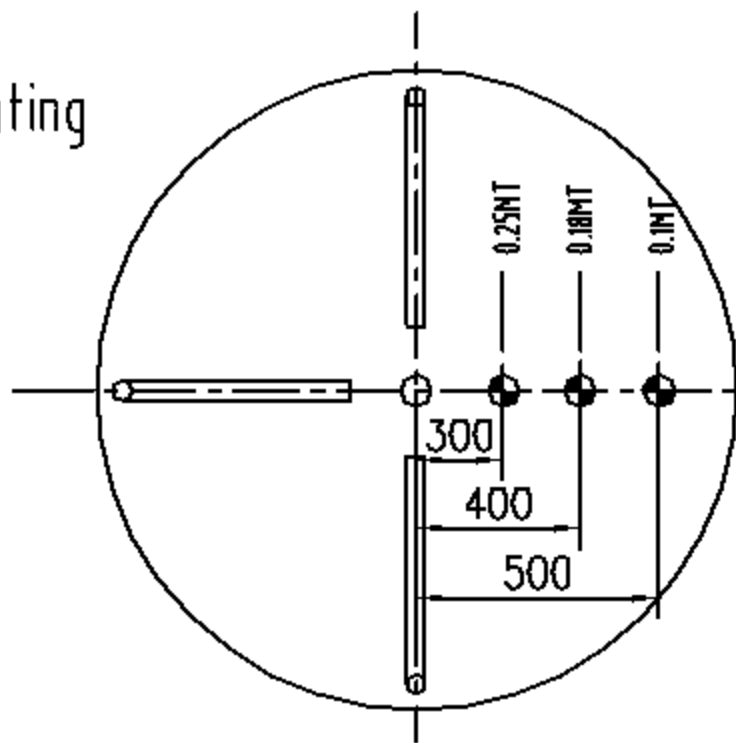


Rotating



Tilting

