







SPECTRUM

WELDING SUPPLIES

HIRE • SALES • REPAIR • REFURBISH



SPECTRUM 100 TONNE CONVENTIONAL ROTATOR SET

 100 TONNE CAPACITY  380-480V  570mm  6800mm

T 01246 205 267 E info@spectrumweldingsupplies.co.uk W spectrumweldingsupplies.co.uk



SPECTRUM 100 TONNE CONVENTIONAL ROTATOR SET

DRIVE
& IDLER

Model	100 Tonne Conventional Rotator Set (<i>Drive and Idler</i>)
Safe Working Load - Drive Unit	50 tonne
Safe Working Load - Idler Unit	50 tonne
Maximum Load Carrying Capacity - Set	100 tonne (1 Drive & 1 Idler)
Rotation Capacity, Drive Unit	150 tonne
Wheel Centre Distance	27.5, 43.3, 59, 74.8, 90.5, 106.2, 122in (700, 1100, 1500, 1900, 2300, 2700, 3100mm)
Vessel Diameter Capacity	22.4in to 267.7in (570mm to 6800mm)
Rotation Speed Range	5.1 to 51.1 in/min (130 to 1300 mm/min)
Tyre Type	Polyurethane, 95A durometer shore rating
Wheel Size	20.5in diameter x 21in wide (521mm x 533mm)
Overall Height to Top of Tyre	30.1in (765mm)
Remote Pendant Type	Plug & Socket Five Push Button Control (forward/stop/reverse/speed control/e-stop), 50ft (15m) cable
Rotation Drive Motors	2 x 2.2kW
Primary Input Power	380 to 480 V, 3 Phase, 50/60Hz
Input Current at Rated Load	15.2amp
Overall Length & Width - Drive	140.5in x 44in (3570mm x 1120mm)
Overall Length & Width - Idler	140.5in x 35.4in (3570mm x 900mm)
Weight - Drive	6173lb (2800kg)
Weight - Idler	3527lb (1600kg)

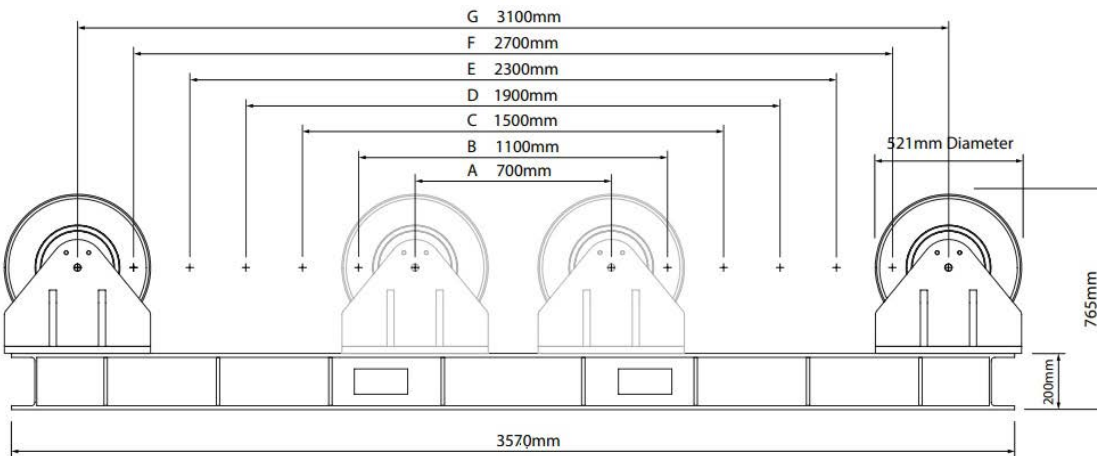
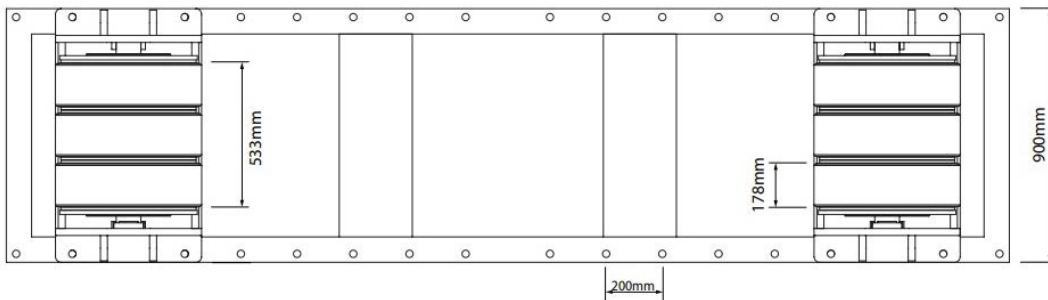




SPECTRUM 100 TONNE CONVENTIONAL ROTATOR SET

DRIVE
 & IDLER

Idler Rotator



Wheel Setting Workpiece Diameter Range

Setting	Range
A	22.4" (570mm) - 45.2" (1150mm)
B	45.2" (1150mm) - 82.6" (2100mm)
C	70.8" (1800mm) - 118.1" (3000mm)
D	94.4" (2400mm) - 157.4" (4000mm)
E	118.1" (3000mm) - 196.8" (5000mm)
F	145.6" (3700mm) - 236.2" (6000mm)
G	169.2" (4300mm) - 267.7" (6800mm)

Symbols

- Load capacity
- Supply voltage
- Minimum overall diameter (mm)
- Maximum overall diameter (mm)



Spectrum Welding Supplies Ltd, Spectrum House,
McGregor's Way, Chesterfield, Derbyshire, S40 2WB

Registered Office: Spectrum House, McGregor's Way,
Chesterfield, Derbyshire, S40 2WB

Registered in England and Wales Company Registration No. 1732286

Vat Registration No. 401 5037 11