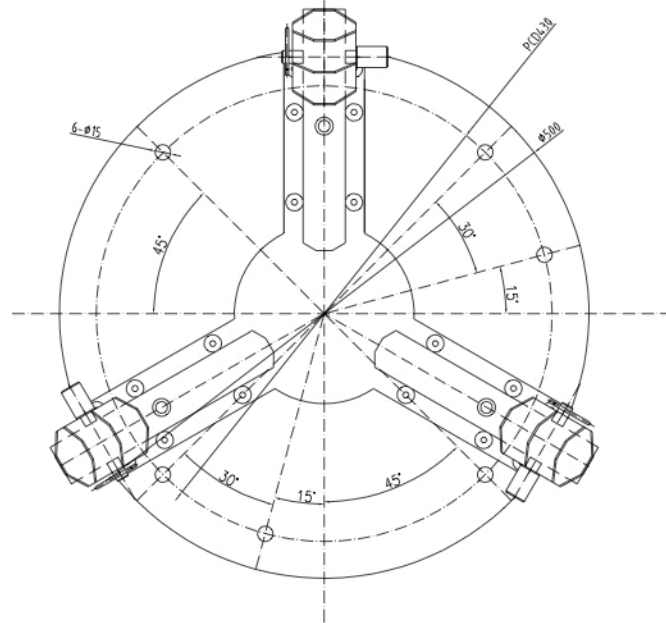
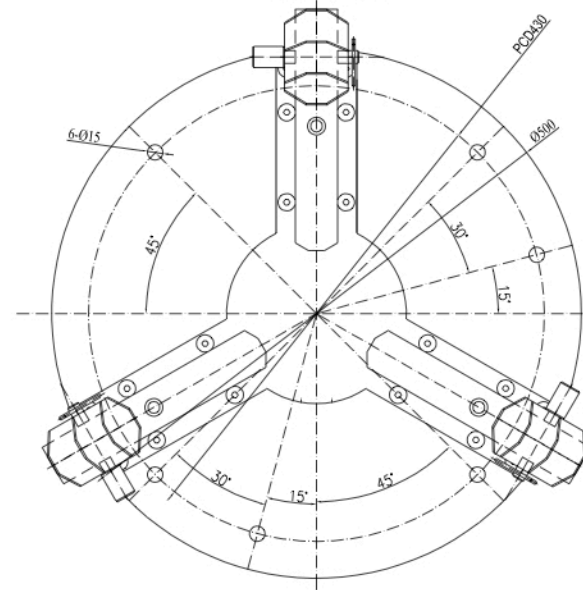


External Jaw



Internal Jaw



Specification for Chuck

1	Model	CHUCK-500
2	External Dimension	φ500x205.5mm
3	Clamping Range	φ15mm-φ565mm
4	Weight	57kg
5	Qty	1 unit

Note: This chuck is recommended for use on Positioner Model: WHP-2.5

		MODEL :	CHUCK-500
		CUSTOMER :	
DRAWN	NAME LJ	DATE 18-05-18	
APPROVED			
		DWG NAME :	CHUCK-500 GA
		DWG NO. :	CHUCK-500 GA
		SCALE:	N.T.S.
		REVISION	0
		SHEET NO	1 OF 1