

1

2

3

4

SolidWorks A3

Release date:

ESAB®

A6SF SVETSHUVUD GMH

0449270-912

Denna handling får ej utan vårt medgivande kopieras, delgivas annan eller eljest obehörigen användas. Överträdelse beivras med stöd av gällande lag.

This document must not without our permission be copied, imparted to a third party or otherwise unauthorizedly used. Contravention will be prosecuted.

ESAB WELDING EQUIPMENT AB

Type

Scale 1:20 Code 20

Year

2020

Week

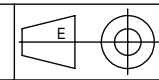
25

Design accepted by

Drawing checked by

Drawn by

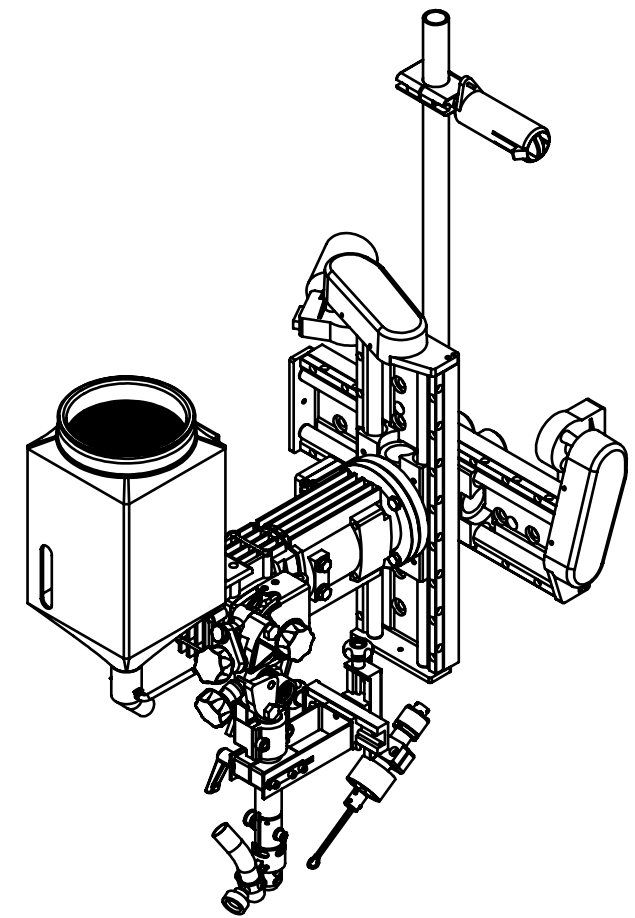
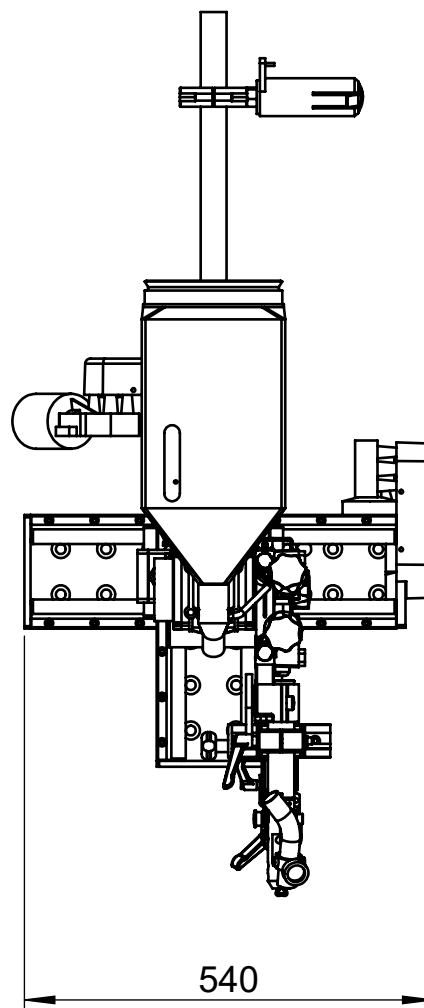
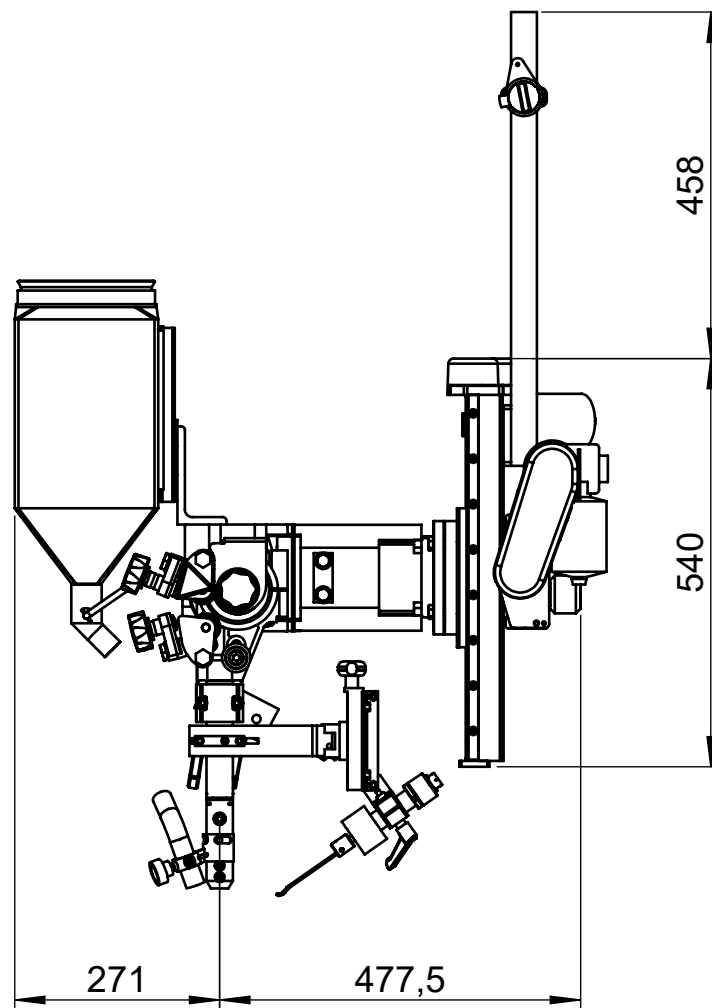
elcigz



√ indicates R_a in μm

Sheet 1 (1)

Rev. a.00



.	.	.
.	.	.
Alteration No.	Alteration	sign., year, month entered

Tolerances for untoleranced dimensions acc. to ISO 2768-1	Painting No.
	Weight. 77,19 kg
	Compare No.

1

2

3

4

5

6

7

8