

# EPR-X1.1

## Powered Air Purifying Respirator



*EPR-X1.1 PAPP*

### Industry

- Agricultural Equipment
- Automotive
- General Manufacturing
- Heavy Fabrication
- Industrial and General Fabrication

ESAB's EPR-X1.1 PAPP unit connects seamlessly with all current ESAB prepared for air welding helmets and provides advanced respiratory protection from harmful welding fume particulates.

This PAPP is designed for applications ranging from occasional use to full-time industrial applications. The EPR-X1.1 offers a robust, compact housing with a powerful blower to ensure maximum life and performance. Check your battery status, fan settings and filter conditions at a glance with quick-access status LED lights. Additionally, the PAPP provides audible and vibratory alerts to notify the user of low air flow (indicating a needed filter change) and low battery conditions.

The EPR-X1.1's turbo unit is controlled with easily-accessed push buttons allowing three airflow speed ranges of 170/190/210 l/minute. The HEPA-quality, EN12941 TH-3P certified two-stage filter and spark arrestor are easily accessed through a removable front door.

- Compatible with all ESAB prepared for air helmets: Sentinel A50; Sentinel A60; Savage A50 LUX; Savage A-40; G-30/40/50; F-20
- User adjustable air flow 170/190/210 l/min
- Li-Ion battery pack (up to 10h duration @ 170 l/min)
- P3 filter and pre-filter
- International intelligent charger (interchangeable pins)
- Audio/visual/vibration blocked filter and low battery alarm

Visit [esab.com](http://esab.com) for more information.



*EPR-X1.1 PAPP System*



*EPR-X1.1 with Sentinel A60 Air Helmet*

# EPR-X1.1

## Specifications

Air Flow	Selectable 170; 190; 210 l/min (6 - 7.8 cfm)
Battery Time	Up to 10h @ 170 l/min (7.8 cfm)
Filter	P3 filter and pre-filter with replaceable spark arrestor
Certifications	CE EN12941 TH3 P
Dimensions LxHxW	210 x 169 x 78 mm (8.3 x 6.7 x 3.1 in.)
Weight	1 kg (2.2 lbs)

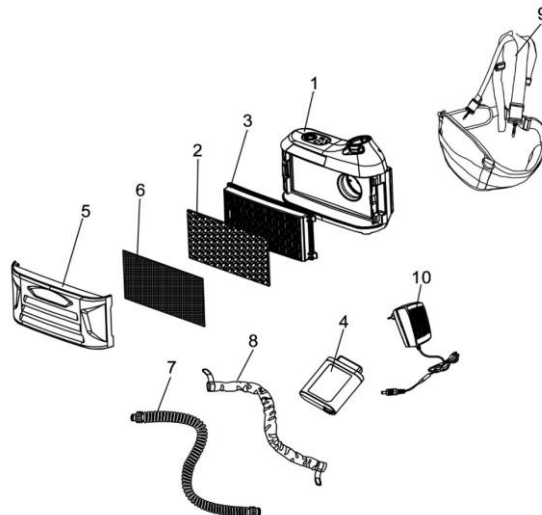
## Ordering Information

EPR-X1.1 PAPR system with expandable hose	0700500920
---	------------

For more information on helmets please see separate fact sheets or manuals.

## Wear and Spare Parts

1	EPR-X1.1 PAPR Blower Unit	0700500921
2	EPR-X1 series PAPR Prefilter	0700500902
3	EPR-X1 series PAPR P3 Filter	0700500903
4	EPR-X1 series PAPR Battery	0700500904
5	EPR-X1 series PAPR Filter Cover	0700500905
6	EPR-X1 series PAPR Spark Arrestor	0700500906
7	Breathing Tube for EPR-X1 series PAPR	0700500907
7	Breathing Tube O-rings	0700500916
8	Anti-fire Cloth of Breathing Tube for EPR-X1 series PAPR	0700500908
9	Waist Belt and Shoulder Harness	0700500909
10	Universal Battery Charger	0700500910
	EPR-X1 series Nuisance Odor Carbon Prefilter	0700500913
	EPR-X1.1 Combined Gas Filter A1B1E1 and P3	0700500914
	EPR-X1 / 1.1 Battery compartment door and latch	0700500923



ESAB / esab.com

